

DATA SHEET - HL2024 Cradle

Pressure independent modular flow controller. Flow control with quick and easy maintenance.



Figure number: 1350

Product overview

Optimal flow control and quick maintenance

The HL2024 Cradle houses a HL2024 Cartridge: a modular system that contains up to three pressure independent HL2024 Flow Controller(s) (HL2024 inserts). This product is designed to allow for very quick and easy maintenance while ensuring a constant flow, optimal user comfort, savings and system stabilisation. The HL2024 all-in-one.

Certified constant flow

HL2024 products are pressure independent and as such provide a constant flow as certified by Kiwa, Netherlands (BRL-K635). The products meet the requirements for Kiwa Water Mark and primary European drinking water standards. All HL2024 products contain one or more integrated HL2024 Flow Controller(s). HL2024 is uniquely certified for pressure independence and long term operation and is patented in 29 countries worldwide.

Application

In the piping.

Key properties

- Optimal flow control as a result of constant flow
- Customisable flow rate
- Quick maintenance due to removable Cartridge system
- Definition of peak volume demand
- Water- and energy savings
- System stabilisation
- System pressure loss reduction
- Sealable Cartridge system



Top left: HL2024 Cradle

Bottom right: HL2024 Cradle - dimensions

Specifications

Mounting: into the piping

Connection inlet: G 1/2" (BSPP) male

Connection outlet: G 1/2" (BSPP) male

Length: 113,8 mm

Width: 60,3 mm

Net installation space: 90,1 mm

Weight: 1.193 g

Housing material: brass (4MS), stainless steel, bronze

Finish outside: n/a

Finish water contact area: n/a

Operating temperature: max. 90 °C *

Flow rate variants (combination of HL2024 inserts):

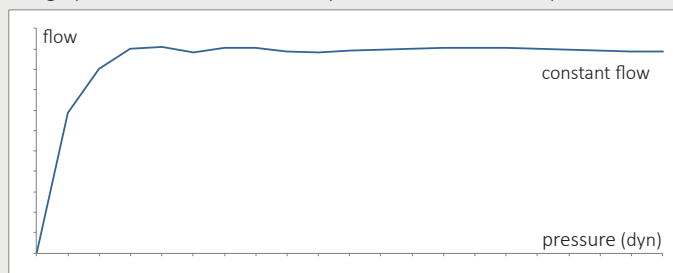
5,0 | 7,8 | 10,0 | 12,8 | 15,0 | 15,6 | 17,8 | 20,6 | 23,4 l/min

150/200-1.000 kPa/dyn (depends on combination of HL2024 inserts)

Constant flow: pressure independent

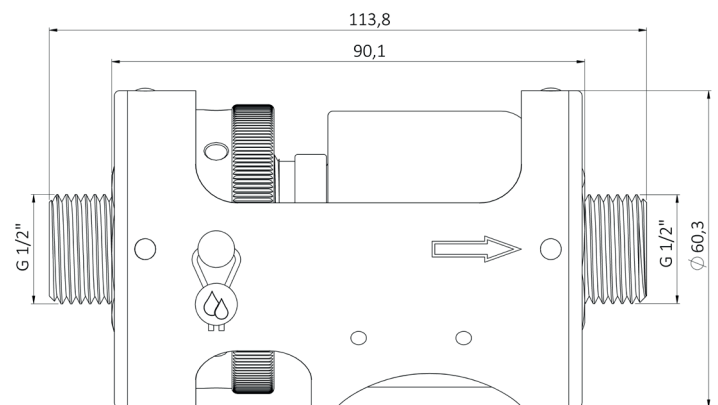
Flow deviation within mentioned dynamic pressure range: max. 2%. **

The graph shows the constant flow performance of HL2024 products.



* In case of permanent or semi-permanent use at 500 kPa/dyn or more combined with 60 °C or more, please contact us at info@hl2024.com.

** Counter-pressure in the system might somewhat influence the flow rate.



Disclaimer: HGP International aim to provide correct and up to date information at all times. No rights can be derived from information provided in this document. HGP International reject liability for any possible omissions and (consequences of) use of (accidentally) incorrect information in this document. HGP International reserve the right to make changes.